

AUDIO CONNECTOR

개요 (Overview)



5&6-Contact

These connectors are universally used in communications equipment where the highest reliability is needed under the most severe environmental conditions. The standard 5-contact connectors meet all requirements of MIL-C-55116, latest revision. 6-contact connectors as well as the light-weight versions are designed to meet all performance requirements of MIL-C-55116. Mating is accomplished quickly with a twist-lock motion. Non-rigid contacts are spring loaded and provide positive electrical connection with minimum voltage drop.

10-Contact

The 10-contact connectors conform to MIL-C-10544, latest revision. Construction and mating action are similar to the 5-contact line. Years of successful field experience have proven the remarkable reliability of this line of connectors for all types of all types of military and commercial communications equipment.

7-Contact Miniature Connector

These connectors are watertight and locked by means of a bayonet coupling. Hard gold plated spring contacts with self cleaning faces ensure a continuously low contact resistance.

5&6-Contact

Materials & Finish

Shells	Stainless steel, passivated, sand-blasted.
Panel Nuts	Stainless steel, passivated, sand-blasted.
Contacts	Copper alloy, .000030 gold per MIL-G-45204, Type I, Class 0 over .001 nicker per QQ-N-290, class I, grade C.
Insulators	Diallyl phthalate per MIL-M-14F, Type MDG.

Specifications

Electrical	Dielectric Strength-500 V RMS.
	Insulation Resistance-1000 Megohms, Min.
	Contact Resistance (mated)-0.050 Ohms, Max.
Mechanical	Air Pressure-2.5 psi.
	Immersion-48 hrs. at 6ft.
	Durability-3000 cycles, mate and unmate.

10-Contact



Materials & Finish

Receptacle Shells	Stainless steel, passivated, sand-blasted.
Plug Shells	Stainless steel, black passivated.
Plug Rear Housing	Aluminum, black anodize.
Panel Nuts	Stainless steel, passivated, sand-blasted.
Contacts	Copper alloy, .000030 silver.
Insulators	Diallyl phthalate per MIL-M-14F, Type MDG.

Specifications

Electrical	Dielectric Strength-500 V RMS.
	Insulation Resistance-1000 Megohms, Min.
	Contact Resistance (mated)- 0.015 Ohms, Max.
Mechanical	Air Pressure-2.5 psi.
	Immersion-48 hrs. at 6ft.
	Durability-1500 cycles, mate and unmate.

7-Contact Miniature Connector

Materials & Finish

Shells	Stainless steel, Black plate
Panel Nuts	Stainless steel, Black plate
Contacts	Copper alloy, 0.076µm gold per MIL-G-45204
Insulators	Diallyl phthalate per MIL-M-14F, Type MDG

Specifications

Electrical	Dielectric Strength-500 V RMS.
	Insulation Resistance-1000 Megohms, Min.
	Contact Resistance(mated)-0.020 Ohms, Max
Mechanical	Durability-5000 cycles, mate and unmate.

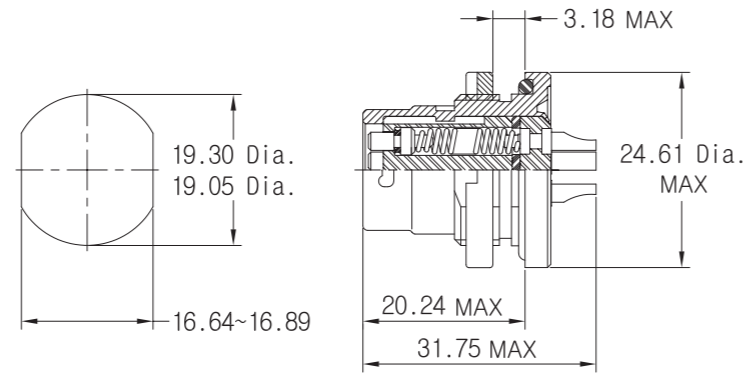
Ordering Info: Green World Technologies Corporation
www.gworldtech.com sales@gworldtech.com
Ph. 1 (310) 774-0919 Fax: 1 (310) 217-0091

Audio connector

5-Contact Standard per MIL-C-55116 Style

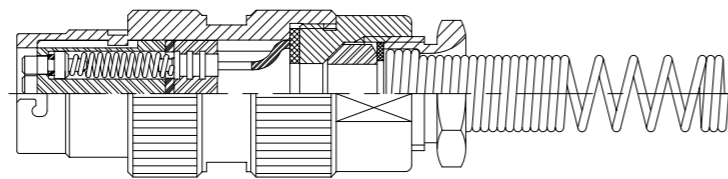
YH-183/U Receptacle

Spring loaded contact, solder terminals, mates with YH-229/U



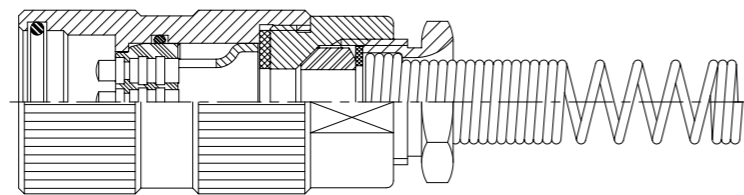
YH-228/U Plug

Spring loaded contact, barrel pin terminals*, mates with YH-229/U



YH-229/U Plug

Rigid contact, barrel pin terminals*, mates with YH-183/U, YH-228/U



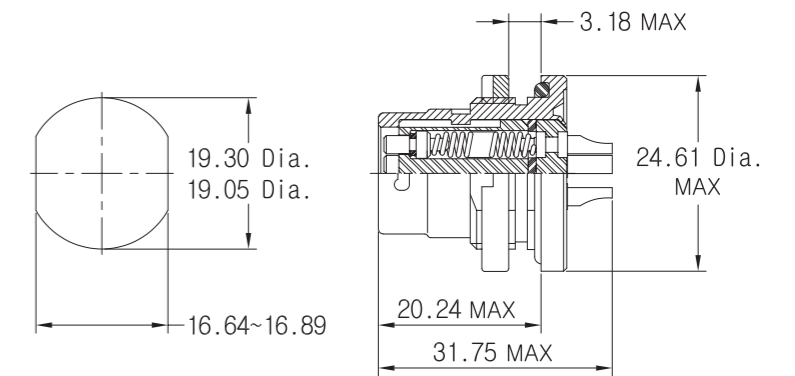
*Solder pin terminals also available.

Audio connector

6-Contact Standard per MIL-C-55116 Style

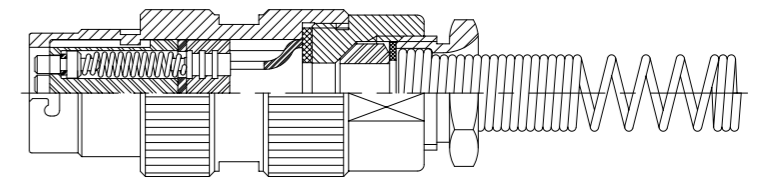
YH-283/U Receptacle

Spring loaded contact, solder terminals, mates with YH-329/U



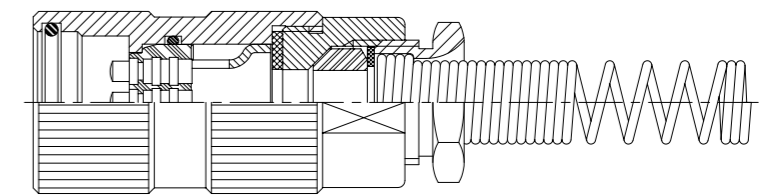
YH-328/U Plug

Spring loaded contact, barrel pin terminals*, mates with YH-329/U



YH-329/U Plug

Rigid contact, barrel pin terminals*, mates with YH-283/U, YH-328/U



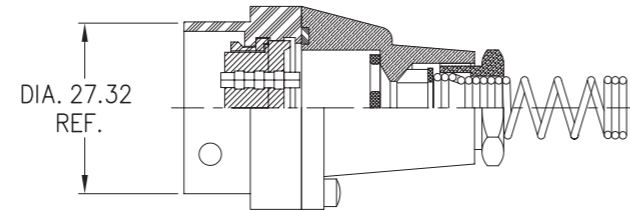
*Solder pin terminals also available.

Audio connector

10-Contact per MIL-C-10544 Style

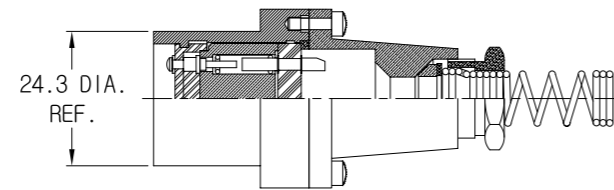
YH-77/U Plug

Rigid contact, solder terminals, mates with YH-78/U & YH-79/U



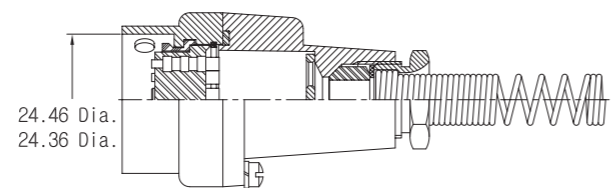
YH-78/U Plug

Non-rigid, Spring loaded contact, solder terminals, mates with YH-77/U & YH-161/U



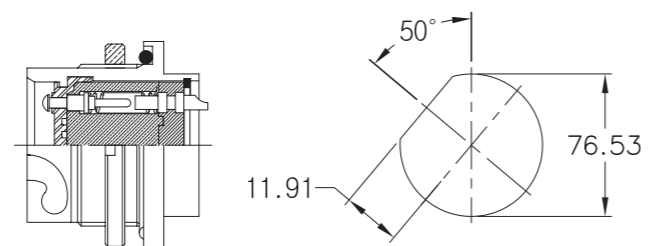
YH-161/U Plug

Rigid contact, taper pin terminals, mates with YH-78/U & YH-79/U



YH-79/U Receptacle

Non-rigid, Spring loaded contact, solder terminals, mates with YH-77/U & YH-161/U

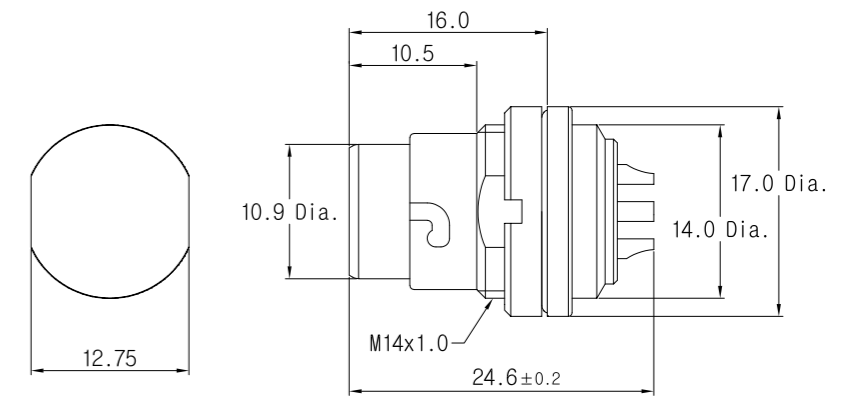


Audio connector

7-Contact Miniature Connector

YH 95351-C7(VG 95351-C7Style) Receptacle

Spring Contacts. mate with YH95351-A7



YH 95351-A7(VG 95351-A7Style) Plug

Rigid Contacts. mate with YH95351-C7

